



# CO 200 Keypad and Proximity Reader Lock

Standalone electronic lock



The CO Series is the ideal solution for customers seeking the added security and convenience of electronic access control without the cost or complexity of a fully networked system.

The CO-200 is computer or manually programmable with users rights stored on the lock. The Handheld Device (HHD) used in conjunction with your access control software, allows you to easily add or delete users and retrieve audits.

By issuing electronic credentials you can minimize the number of mechanical keys issued which protects the integrity of your key system. A variety of credential readers are also available including keypad only, magnetic stripe, and proximity. The magnetic stripe and proximity readers are also available with keypad for the added security of dual authentication.

Cylindrical, mortise, mortise deadbolt, and exit trim chassis options are available as well as a wide variety of finishes and levers to suite with your existing hardware.

Mechanical key override is standard and compatible with multiple cylinder types. The CO Series is also compatible with many popular brands and types of exit devices.

The CO Series has been tested the highest standards in the industry to ensure quality and reliability you have come to expect from Schlage. The CO Series is ANSI/BHMA A156.25, ANSI/

## Features

- Computer programmable with audit trail
- Up to 2000 users and up to 2000 audits<sup>1</sup>
- Up to 32 holidays and 16 time zones<sup>1</sup>
- ANSI/BHMA A156.25, ANSI/BHMA Grade 1 certified, UL 294 listed
- User rights stored on the lock
- The ability to add and delete users at the lock
- Available in cylindrical, mortise and exit trim
- Compatible with major brands of key systems and exit devices
- Classroom/storeroom and standard function available
- LED indicator visually communicates lock status



Warranties	
Mechanical	10 years
Finish	<a href="http://allegion.co.nz/finisheswarranty">allegion.co.nz/finisheswarranty</a>
Electronic	1 year

# Specification guide

## CO 200 keypad and proximity reader classroom lock

Function	Lock type	Backset
Classroom/Storeroom.....LOK	Tubular latch.....LOK502 Mortice lock.....LOK50304	Tubular latch 70mm backset.....LOK50287 Mortice lock 60mm backset.....LOK50304-60 Mortice lock 70mm backset.....LOK50304-70

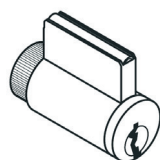
### Finish



#### SCP

Satin Chrome Plate

### Cylinders



Full Cylinder

### Schlage Handheld Device (HHD)

The Schlage Utility Software (SUS) on the Handheld Device (HHD) provides an easy way to manage people, audits and locks for simple access control management.

- 3.5 inch display
- Touch screen/keypad backlit
- 32-bit processor
- OS: Windows mobile 6.5
- Memory 128MB RAM/256MB ROM
- Battery: rechargeable Li-ion
- Dimensions: 13cm x 7.2cm x 1.7cm
- Weight: 190g
- 1.2m drop to steel surface, 2 drops per 6 sides



## Technical specifications

CO-200 electronic lock specifications		
Users	Up to 2,000 <sup>1</sup>	
Audits	Up to 2,000 <sup>1</sup>	
Credential verification time (keypad only)	≤ 1 second	
Visual/audible communications	Tri-colored LED's and audible indicators	
Power supply	4 AA Alkaline batteries (included)	
Voltage range	4 VDC to 7 VDC	
Max current requirement	Up to 250 mA	
Battery life	Up to 2 years with 4 AA batteries	
Operating temperature - exterior	-31° to 151°F (-35° to 66°C)	
Operating temperature - interior	32° to 120°F (0° to 49°C) due to batteries	
Operating humidity	0 - 100% non-condensing	
<b>Functions</b>		
Classroom/storeroom		
<b>Standard status signals</b>		
Mechanical key override		
Battery status—indicated by flashing LED lights		
Access granted/access denied		
Programming commands		
<b>Programming and use options</b>		
Function code	User level	Description
PIN3	Basic	Unlocks the lock momentarily when in a normally secured state.
Programming	Manager/administrator	Initiates all programming actions (can be changed by administrator)
User changes	Manager/administrator	Assigns or deletes user PINs for the lock
Toggle	Manager/administrator	Changes the lock to an unlocked state and back when desired
Freeze	Administrator	Maintains the lock in current state until code is re-entered (cannot be toggled)
Pass through	Administrator	Unlocks the lock momentarily regardless of current state
Other	Administrator	Includes change relock delay period; change PIN length; disable/enable beeper; disable/enable remote release <sup>4</sup> ; disable/enable LED occupancy indication <sup>5</sup>

<sup>1</sup> Depending on access control software.

# Schlage CO 200 keypad and proximity reader classroom/storeroom lock

Mechanical specifications	
Handing	Field reversible
ANSI standard (Meets or exceeds)	Grade 1
Door thickness	40-50mm Standard, 51-60mm Optional (36-39mm with shim plates)
Backset	Standard: 70mm Optional: 60mm
Latch bolt	Standard: 12.5mm Optional: 19mm
Lever	Sparta: Pressure cast zinc, plated
Cylinder and keys	Schlage 6-pin PD cylinder with two keys standard. Additional options available including SFIC, FSIC and competitor brands.

## Testing and Compliance



### Fire Rating:

Successfully tested on fire door assemblies in accordance with AS1905 Part1: Fire resistance doorsets. Check with fire door manufacturer prior to installation.



### Accessibility:

Compliant to the AS 1428:1-2009 Design for Access and Mobility

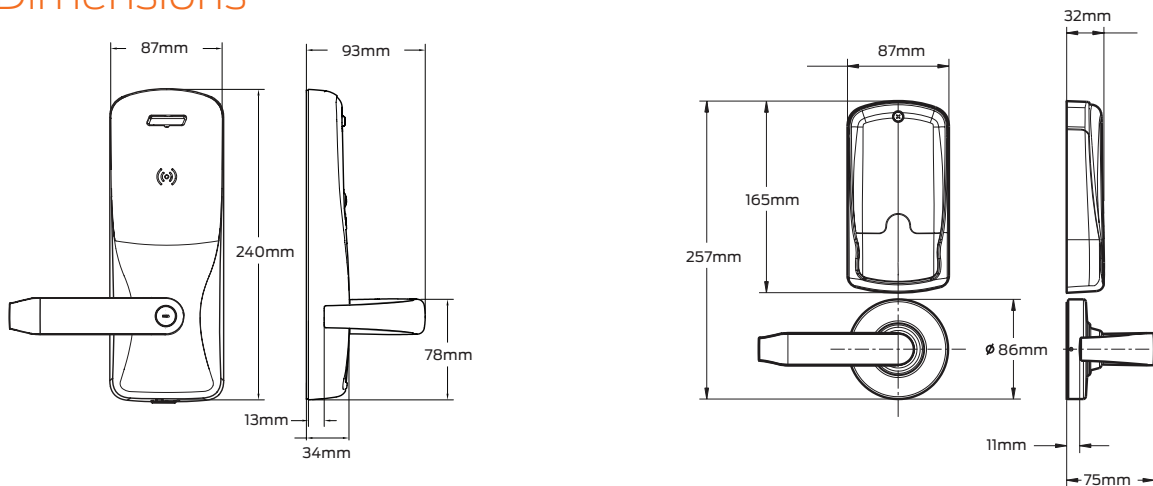
### Caution:

When door closers are installed and adjusted to meet reduced opening force requirements, there may be insufficient power to reliably close and latch the door, depending on prevailing operating conditions.

### Note:

In areas of high wind pressure and/or air conditioning pressures, the LCN Automatic Door Operators are recommended.

## Dimensions



Available CO-200 reader options



Keypad



Proximity  
+ KEYPAD

Lever shown differs from actual product.

© Allegion 2021. All rights reserved. Material and design specifications subject to change without notice. Product colour reproduction is as near to actual product colour as production methods allow. Warning: Products in this brochure are the subject of registered designs and patents. This brochure relates to Australian and New Zealand products only and some product, design or specifications may differ in other countries.